

www.RasmussenCo.com • Info@rasmussenco.com

PO Box 81206 • Seattle, WA 98108 • Fax: (206) 762-5003

Anchor Type: Delta Flipper

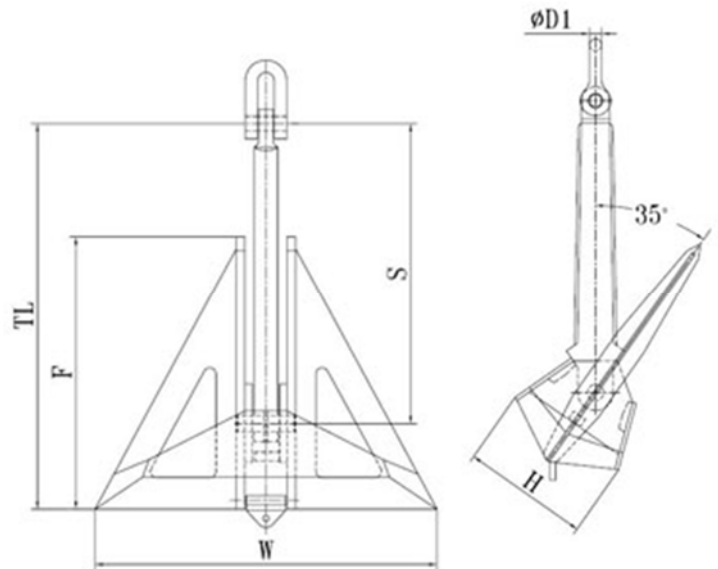
Certification: Mill Certification built in accordance with ABS approved drawings and inspected, tested, and found to be satisfactory, and it is fit for offshore operation and ship use.

Anchor Class: C – Anchors with open crown hinge near the center of gravity and relatively short shank and stabilizers or built-in stabilizers.

Anchor Efficiency: Efficiency range *14 to *26

Anchor Holding Capacity: Anchor Weight x Efficiency

The holding capacity of an anchor is governed by the following parameters but not limited to: The fluke area, which is limited by the strength of the anchor design. The penetration of the anchor is governed by the soil type. (Deep penetration in very soft clay and shallow penetration in sand), the anchor type (design), the type of mooring line that is used (chain or wire rope) and the applied load. An increase in fluke area or an increase in the penetration depth of the anchor results in a higher holding capacity.



Weight (kg)	TL (MM)	W (MM)	F (MM)	H (MM)	S (MM)	D1 (MM)	Proof Load (kN)
300	1,380	1,200	960	465	1,080	45	98
500	1,725	1,500	1,200	570	1,350	48	143
750	1,950	1,700	1,360	650	1,530	50	198
1,000	2,150	1,870	1,500	710	1,680	62	250
1,500	2,460	2,140	1,710	815	1,920	70	350
2,000	2,715	2,360	1,890	900	2,125	75	435
2,500	2,925	2,540	2,035	970	2,290	80	510
3,000	3,105	2,700	2,160	1,030	2,430	90	576
3,500	3,240	2,845	2,280	1,087	2,565	90	635
4,000	3,375	2,953	2,315	1,140	2,650	100	686
5,000	3,658	3,200	2,560	1,225	2,900	110	776
6,000	3,935	3,405	2,720	1,310	3,125	110	875
7,000	4,120	3,580	2,860	1,360	3,220	117	968
7,500	4,215	3,666	2,925	1,390	3,295	124	1,005
8,000	4,315	3,750	3,000	1,425	3,380	130	1,048
9,000	4,490	3,874	3,120	1,480	3,512	135	1,108
10,000	4,725	4,100	3,280	1,560	3,690	140	1,172
11,000	4,868	4,140	3,310	1,600	3,750	145	1,238
12,000	4,960	4,275	3,420	1,640	3,860	150	1,300
13,500	5,120	4,450	3,560	1,700	4,000	155	1,408
15,000	5,345	4,600	3,685	1,735	4,160	160	1,520
18,000	5,678	4,890	3,919	1,840	4,418	170	1,710
20,000	5,880	5,065	4,050	1,900	4,570	175	1,840

Weight (LBS)	TL (IN)	W (IN)	F (IN)	H (IN)	S (IN)	D1 (IN)	Proof Load (LBS)
661	54.3	47.2	37.8	18.3	42.5	1.77	22,031
1,102	67.9	59.1	47.2	22.4	53.1	1.89	32,148
1,653	76.8	66.9	53.5	25.6	60.2	1.97	44,512
2,205	84.6	73.6	59.1	28.0	66.1	2.44	56,202
3,307	96.9	84.3	67.3	32.1	75.6	2.76	78,683
4,409	106.9	92.9	74.4	35.4	83.7	2.95	97,792
5,512	115.2	100.0	80.1	38.2	90.2	3.15	114,653
6,614	122.2	106.3	85.0	40.6	95.7	3.54	129,490
7,716	127.6	112.0	89.8	42.8	101.0	3.54	142,754
8,818	132.9	116.3	91.1	44.9	104.3	3.94	154,219
11,023	144.0	126.0	100.8	48.2	114.2	4.33	174,452
13,228	154.9	134.1	107.1	51.6	123.0	4.33	196,708
15,432	162.2	140.9	112.6	53.5	126.8	4.61	217,615
16,535	165.9	144.3	115.2	54.7	129.7	4.88	225,933
17,637	169.9	147.6	118.1	56.1	133.1	5.12	235,600
19,842	176.8	152.5	122.8	58.3	138.3	5.31	249,088
22,046	186.0	161.4	129.1	61.4	145.3	5.51	263,476
24,251	191.7	163.0	130.3	63.0	147.6	5.71	278,313
26,455	195.3	168.3	134.6	64.6	152.0	5.91	292,252
29,762	201.6	175.2	140.2	66.9	157.5	6.10	316,531
33,069	210.4	181.1	145.1	68.3	163.8	6.30	341,710
39,683	223.5	192.5	154.3	72.4	173.9	6.69	384,423
44,092	231.5	199.4	159.4	74.8	179.9	6.89	413,648